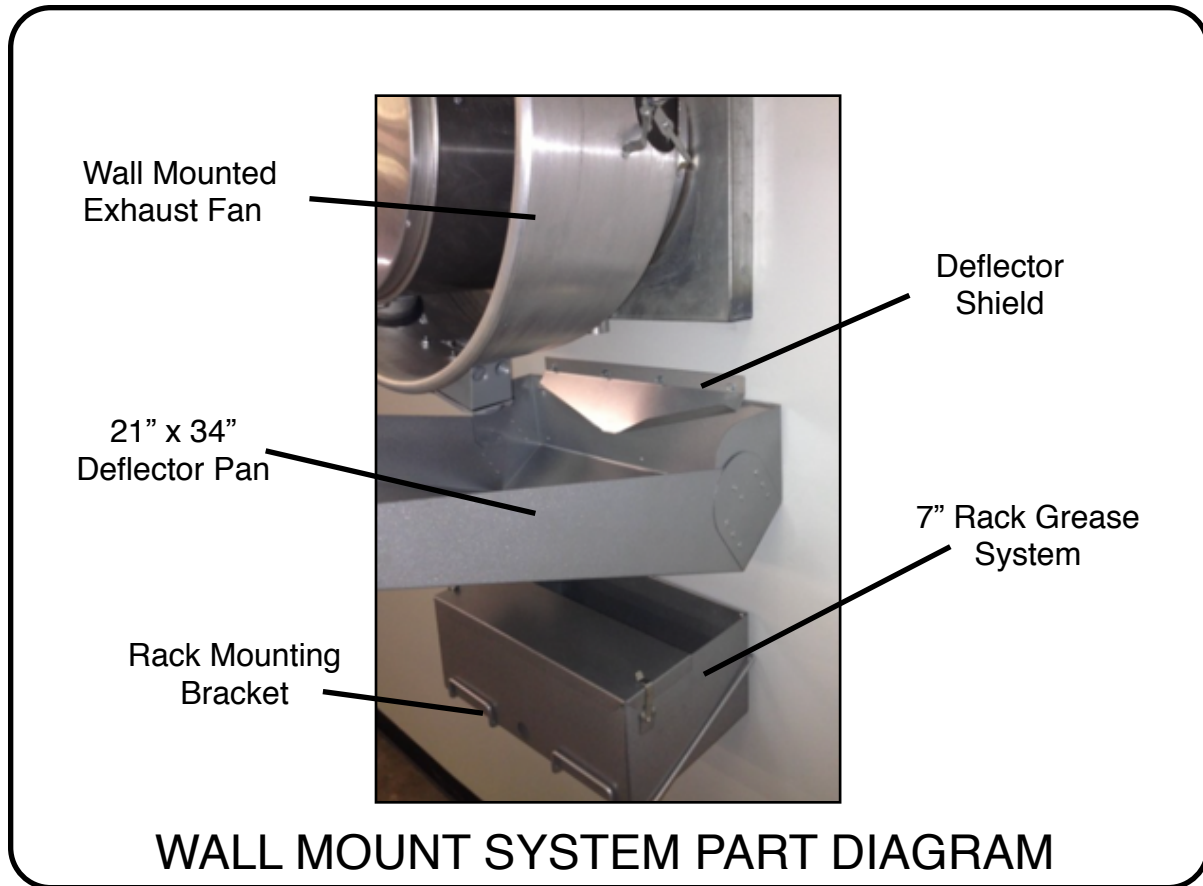


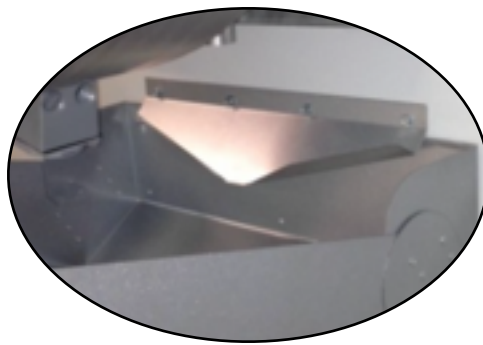
# DRIPLC DELUXE WALL MOUNT SYSTEM

## BASIC INSTALL INSTRUCTIONS

**NOTE:** BEFORE INSTALL YOU'LL NEED TO IDENTIFY THE SURFACE YOUR MOUNTING SCREWS AND PURCHASE NECESSARY HARDWARE AS NON IS PROVIDED WITH THE KIT



**STEP #1** place deflector pan against wall and raise until it's 1" away from outside edge of fan bowl. Mark wall.



**STEP #2** Mount wall mounted deflector shield (we recommend caulking the top edge of this piece at a minimum to flow grease into system)



**STEP #3** Finish by mounting Grease System as close to deflector pan as possible but allow lid removal

**INSTALL TIPS:** WE RECOMMEND INSTALLING ONE PIECE AT A TIME BY PLACING PART AGAINST WALL, MARKING MOUNTING HOLES WITH MARKER THEN DRILL, SCREW, INSTALL ALL ANCHORS YOUR USING TO FINISH SECURING THE PART TO THE MOUNTING SURFACE. WE DO RECOMMEND CAULKING ALL HOLES AND AROUND FLAT EDGES OF METAL TOUCHING THE WALL TO ENSURE GREASE FLOWS INTO THE SYSTEM