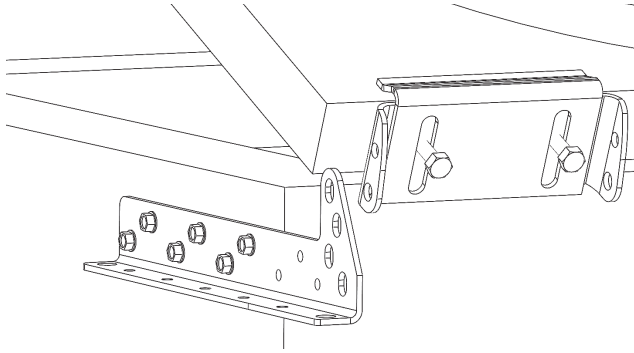
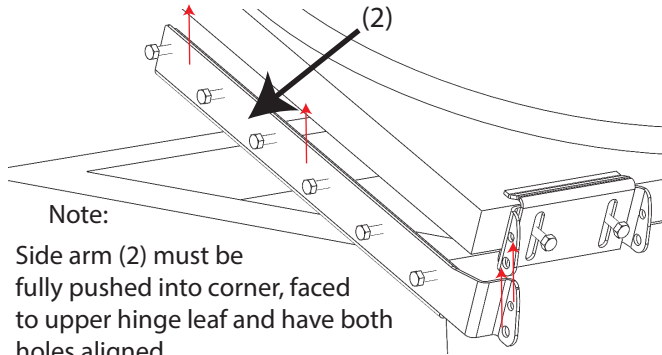


**Pro install tip: Loose fit all components during assembly. Tighten all components before lifting fan.**

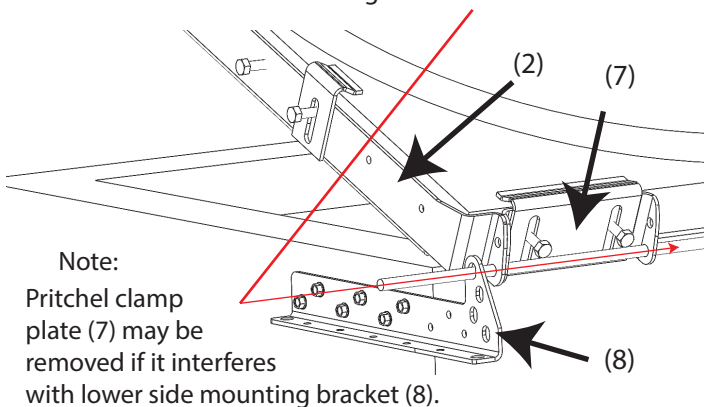
1. The Side Arm kit complements the TYPE 2s hinge kit. First, remove the old axle if present. For new install, set axle aside to provide clearance for the side arm.



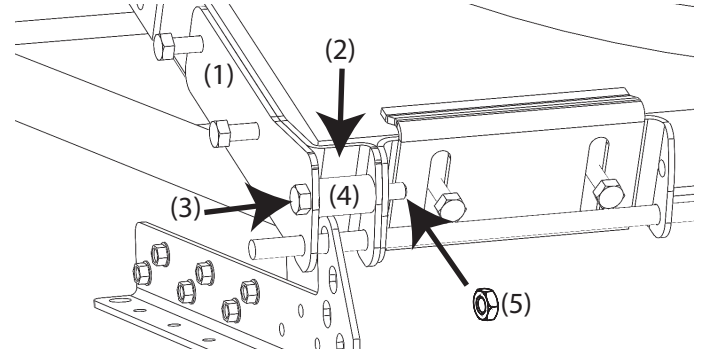
2. Place the side arm under the fan base and slide it up. Slide up until the axle holes align in the rear and the forward end is snug under the lid.



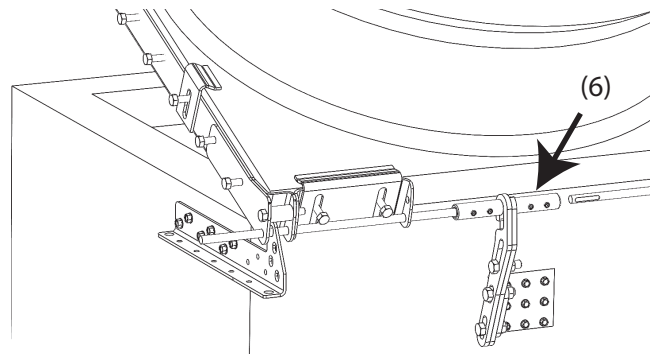
3. Insert the axle through the side arm and the upper hinge leaf. If side mounting bracket (8) was removed, reinstall it with axle holes aligned.



4. Add cap plate (1) over side arm (2). Pass the long bolt (3) through the plate, spacer (4), side arm and hinge. Attach nut (5) to this assembly and tighten.



5. - For Split axles - Add mender (6). Slide axle all the way into mender (bottomed out) and tighten screws to flat side of axle. Mirror steps to other side.



6. Install castle, hook & base plates as shown. Loosely bolt plates to base plate. Swing base into curb and affix. Tighten bolts. Cut axles to length. Add axle nuts.

