

D

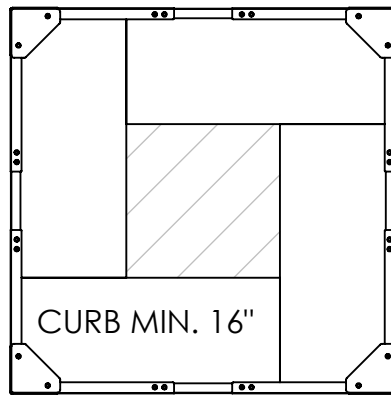
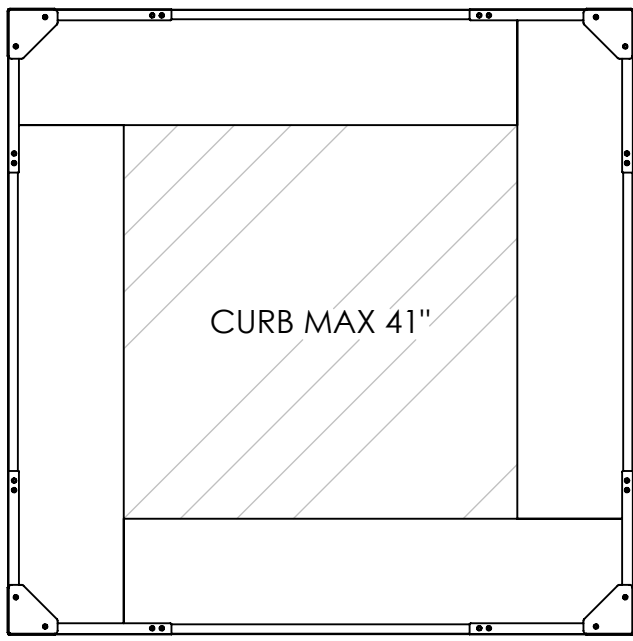
C

B

A

RT 360 3312 16-41

3' Rail and 3' Corner with 12" Mats



NAME	DATE
BENJAMIN GLENN 9/22/14	
BENJAMIN GLENN 9/22/14	
BENJAMIN GLENN 9/22/14	
Q.A.	

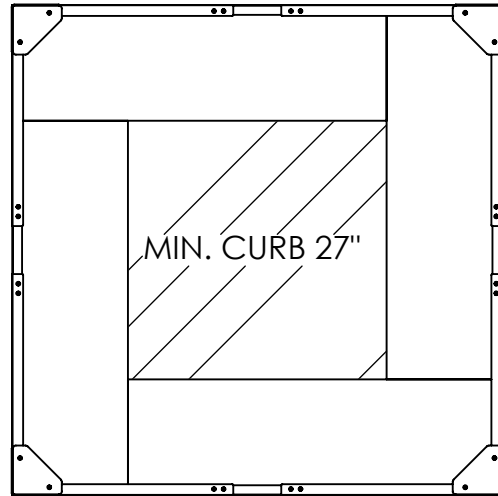
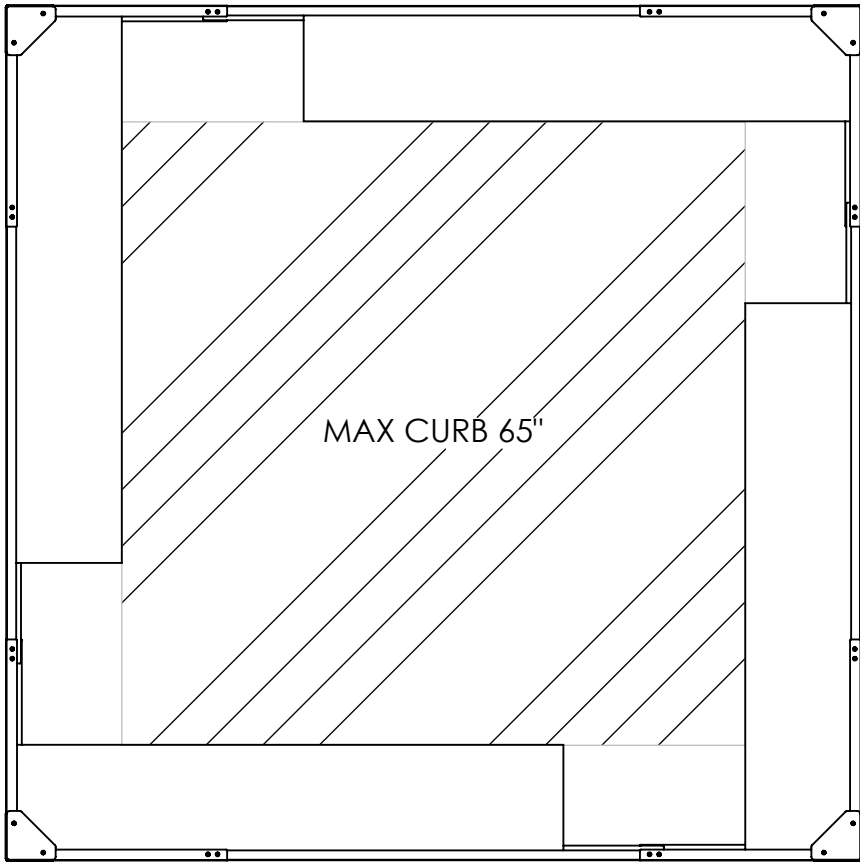
SIZE	DWG. NO.	REV
B		
SCALE: 1:12	WEIGHT:	SHEET 1 OF 1

COMMENTS:

1
2
3
4
5
6
7
8

RT 360 4412 27-65

4' Rail And 4' Corner with 12" Mats

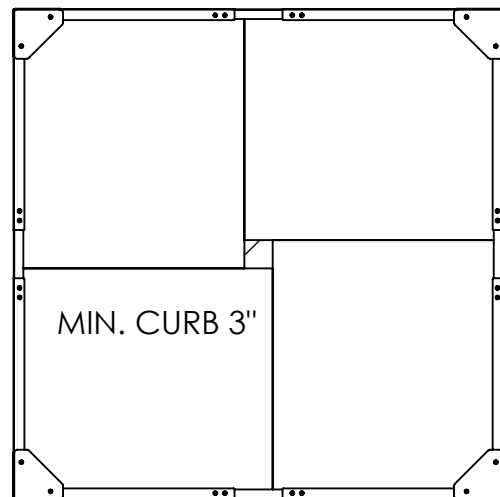
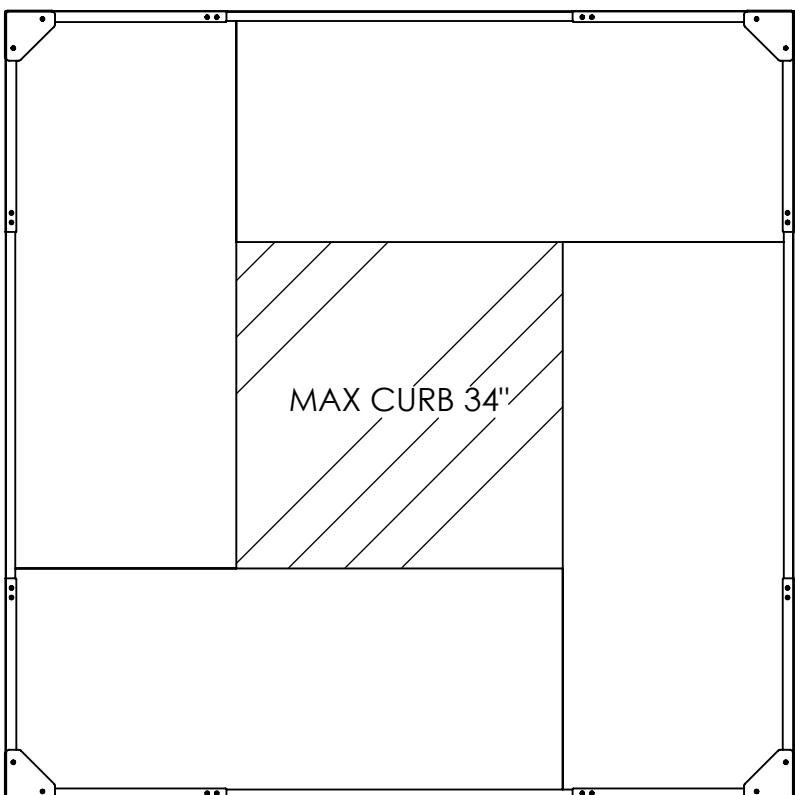


PROPRIETARY AND CONFIDENTIAL
 THE INFORMATION CONTAINED IN THIS DRAWING IS THE SOLE PROPERTY OF DRIPLOC LLC. ANY REPRODUCTION IN PART OR AS A WHOLE WITHOUT THE WRITTEN PERMISSION OF DRIPLOC LLC IS PROHIBITED.

APPLICATION

RT 360 4424 3-34

4' Rail And 4' Corner with 24" Mats



D

C

B

A

1
2
3
4
5
6
7
8